



PRODUCT CODE:

FH-46-S/S
(O/A Height 124mm - 153mm)

FH-46-Z/P
(O/A Height 124mm - 153mm)

FH-47-S/S
(O/A Height 150mm - 177mm)

FH-47-Z/P
(O/A Height 150mm - 177mm)

FH-48-S/S
(O/A Height 198mm - 227mm)

FH-48-Z/P
(O/A Height 198mm - 227mm)

FH-49-S/S
(O/A Height 249mm - 277mm)

FH-49-Z/P
(O/A Height 249mm - 277mm)

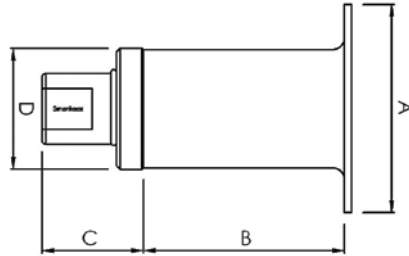


PRODUCT CODE:

FH-50 (Stainless Steel)

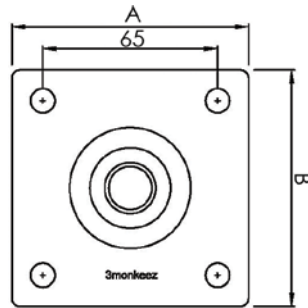
FH-51 (Zinc Plated)

Adjustable Leg - Round Tube



PRODUCT CODE	A	B	C	D	MOUNTING PLATE
FH-46-S/S	88	85	36	50	FH-50
FH-46-Z/P	88	85	36	50	FH-51
FH-47-S/S	88	110	36	50	FH-50
FH-47-Z/P	88	110	36	50	FH-51
FH-48-S/S	88	160	36	50	FH-50
FH-48-Z/P	88	160	36	50	FH-51
FH-49-S/S	88	210	36	50	FH-50
FH-49-Z/P	88	210	36	50	FH-51

Mounting Plate



PRODUCT CODE	A	B	THICKNESS	HOLE	# OF HOLES
FH-50	88	88	3	9	4
FH-51	88	88	3	9	4

S/S = Stainless Steel

Z/P = Zinc Plated

All measurements in mm.



STAINLESS STEEL EVOLUTIONS
Innovate · Create · Deliver