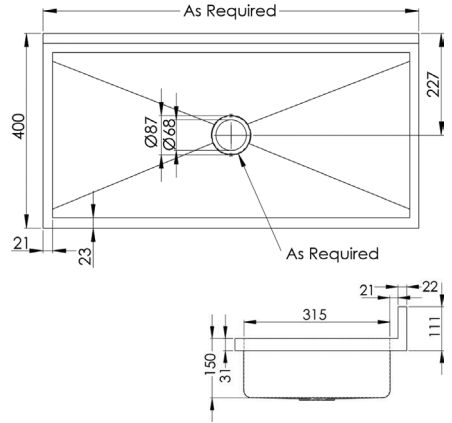


Wall Mount Trough



1. Quantity - _____

2. Length - _____ mm

3. Outlet Position

Centre Custom _____ mm (to the centre of the outlet from the left)

4. Stainless Steel Grade 304 316

5. External Radius Corners No Yes

6. Splashback (extra cost) No Yes, height - _____ mm

7. Freestanding Frame (extra cost) No Yes, height - _____ mm

8. Plug and Waste (extra cost) No Yes

9. Tap Holes (optional) No Yes

Number of Tap Holes - _____

Tap Hole Size 20mm 22.5mm 25mm 30mm 35mm



Recommended tap hole spacing: Adults – 600mm and children* – 450mm

Please draw tap holes clearly, showing dimensions for spacing



* Lever handle taps are recommended for children 8 years and under

Pre fabricated items are non returnable and non refundable

All MTO products have a lead time - please confirm prior to ordering

Email - orders@3monkeez.com.au

Company:

Purchase Order Number:

Name:

Date:

Signature:

Phone Number: