

Congratulations! You have just purchased one of the premium products from 3monkeez washroom accessories range.
 Proudly manufactured to Australian Standards

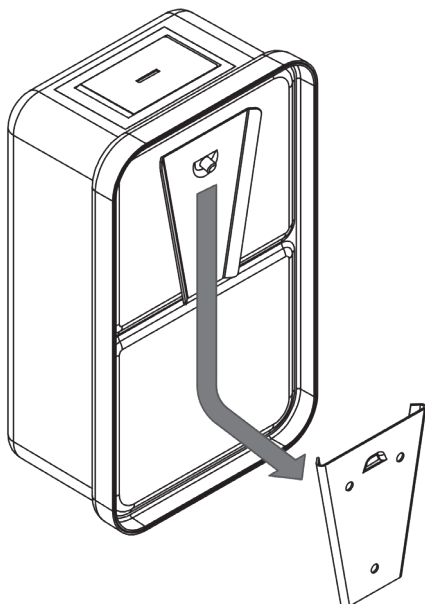
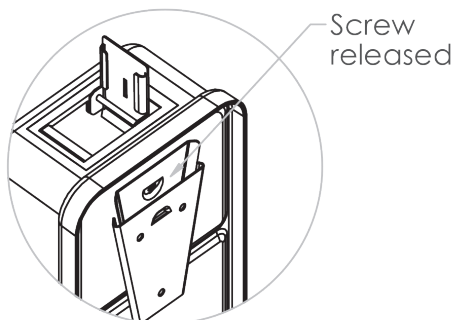
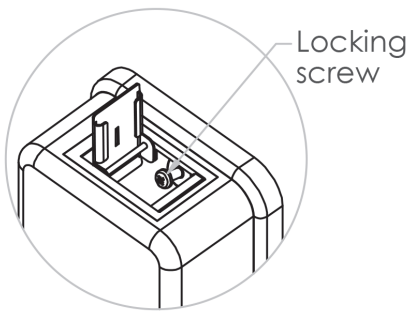
FEATURES

- **0.8mm thick 304 stainless steel body**
- **Black ABS pump**
- **Lockable hinged lid (key provided)**
- **Plastic inner bottle - does not require special non-acidic soap.**

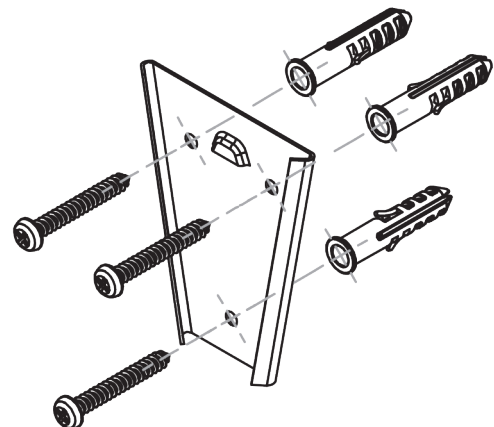
IMPORTANT INFORMATION

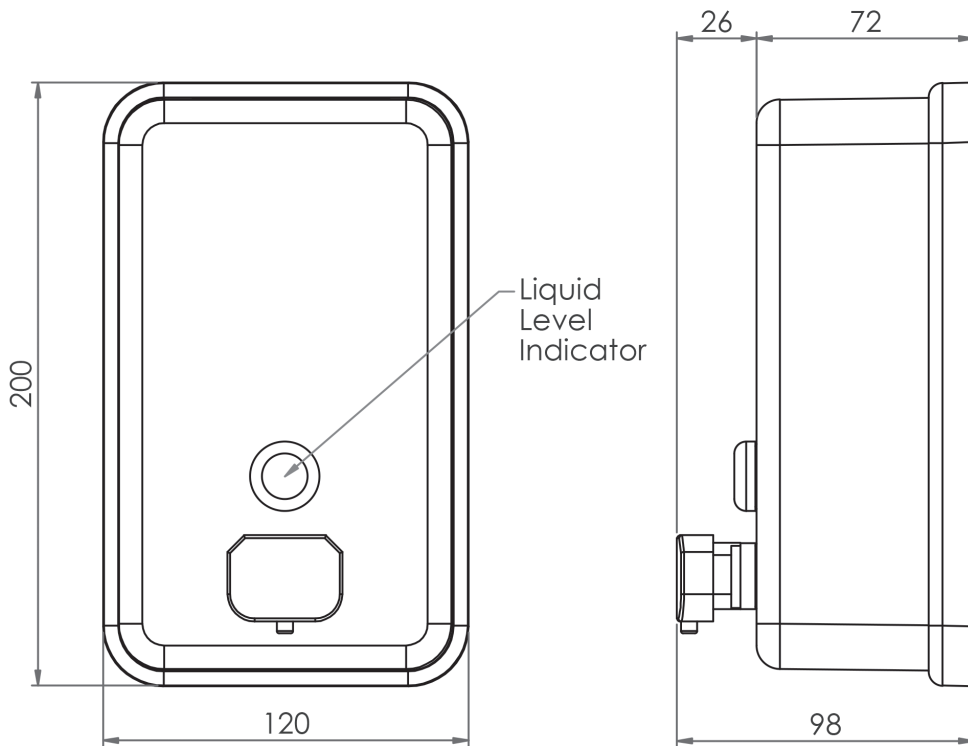
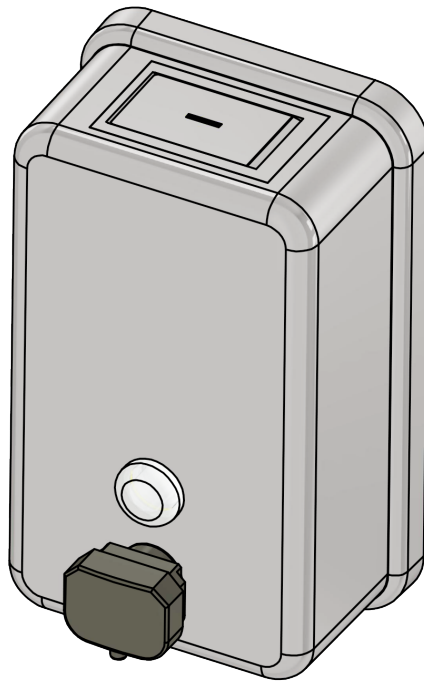

Note: Please follow the below procedures. If the below procedures are not followed it may impact the life of some components and void warranties.

- It is recommended that this product be installed by a licensed tradesperson.
- Installation height and location may be subject to Australian Building Code Regulations.
- This product may also be subject to height and location conditions to comply with AS1428.1 for accessibility.
- Placement may be subject to architects specification and drawings.
- It is the responsibility of the installer to fix the washroom accessory in the correct position.
- Fixings and wall anchors may or may not be included with this product.
- It is the responsibility of the installer to use the most suitable fixings and fasteners appropriate to the job.

INSTALLATION INSTRUCTIONS


1. Using the key provided, unlock filler lid.
 Locate the locking screw inside and loosen it, until the screw is no longer seen from the back of the unit.
 2. Using the separate mounting bracket provided, determine the appropriate installation height and location using the mounting holes on the bracket.
 3. Drill holes at the marked locations and insert suitable anchors.
 4. Fix the mounting plate into place with screws.
 5. Tighten all screws and ensure unit is level.
 6. Attach the soap dispenser onto the mounting bracket by pushing down to lock into place.
 7. Re-tighten the screw from Step 1 to ensure that the unit is secure to the bracket.
- Note: If the security screw is not tightened soap can leak from the back of the unit.





STAINLESS STEEL MAINTENANCE AND CLEANING INSTRUCTIONS

Stainless steel products must be cleaned on a regular basis to maintain the ability to resist corrosion.

Cleaning stainless steel products is an easy task when done regularly:

- Clear away all food and water from the surface with a microfiber cloth or soft sponge; don't use abrasive materials that cause scratching.
- Once cleared of debris, go over the surface with a food safe stainless steel cleaner, bicarb soda or mild detergent and water.

The best chemicals for stainless steel contain alkaline and don't have chloride in them.

- To remove stubborn stains, use a good quality stainless steel cleaner and non abrasive cloth
- Rinse thoroughly with clean fresh water
- Drying the product with a soft, dry absorbent cloth will prevent mineral deposits building up on the surface of the product.
- Once dry, use a food safe stainless steel or metal polish.
- Follow the grain of the metal to ensure the best results and to avoid further damage to the surface.
- Always keep the product clean and dry when not in use.
- Don't leave anything citric on the product as it can etch the surface over time.
- Don't leave soaps and other cleaners on your stainless steel product overnight.
- Don't leave damp sponges or cloths on the inside or edge of the product when not in use.

TIP - Cleaning your stainless steel equipment after each use as above will ensure the product remains in good condition.