

Congratulations! You have just purchased one of the premium products from 3monkeez washroom accessories range.
Proudly manufactured to Australian Standards

FEATURES

- Hygienic and easy to use. Manufactured from anti-bacterial HDPE, which helps reduce cross-contamination.
- A disposable liner can be used between the child and the changing table.
- Easy to open and close. Folds away to save space when not in use.
- Built in paper holder for disposable liners.
- Adjustable restraining belt to protect baby from falling.
- Heavy-duty construction, making the table suitable for most public facilities.

WARNING



Note: The following information is provided for your safety and the long life of the product.

- Never leave a baby unattended.
- Take care to avoid the baby sliding out or falling from the table. This may result in serious injury.
- Always use the restraint belt when using this table.
- Do not allow children to pull or hang on to the sides of the unit. Serious injury may result from falls.
- Total maximum weight loading is 20 kg.
- Under no circumstances is this baby change table to be used as a bed or crib.

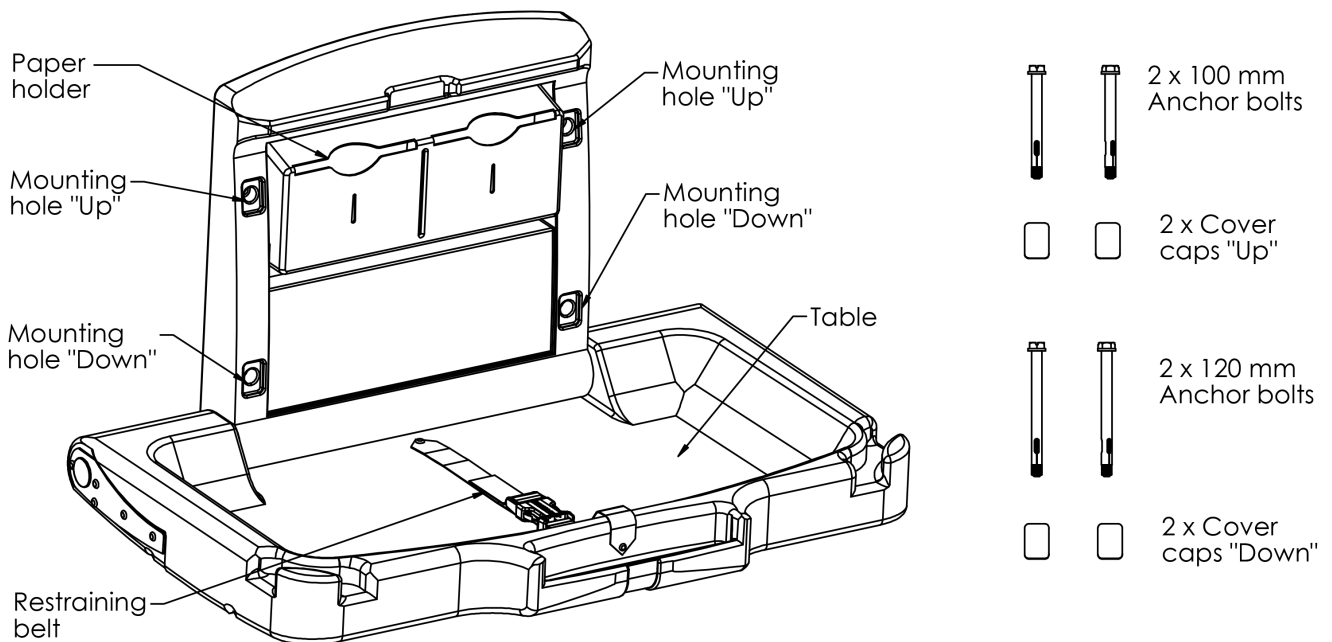
IMPORTANT INFORMATION



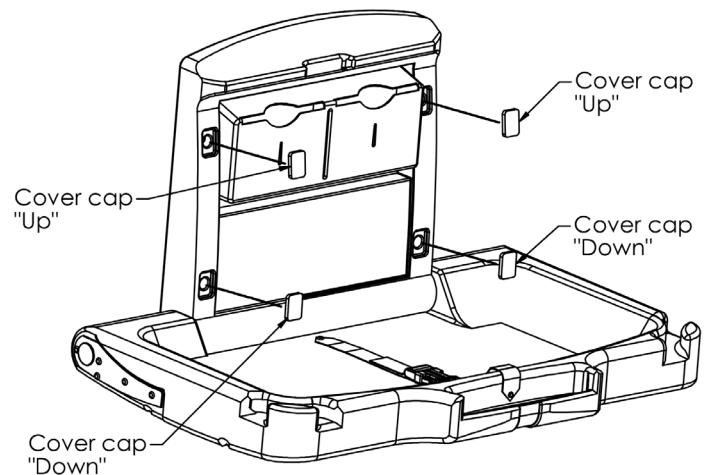
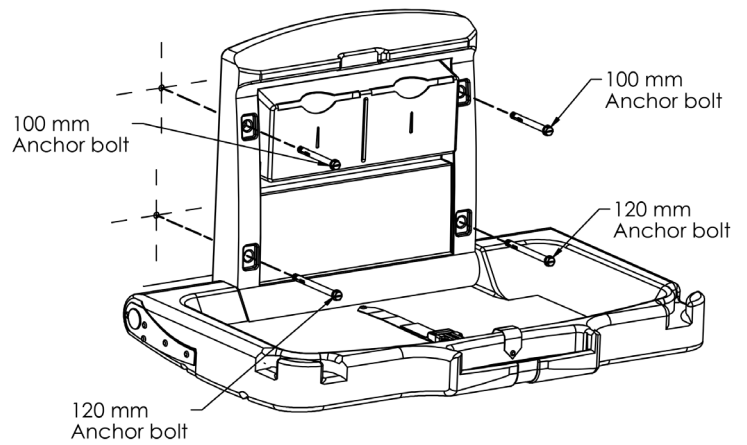
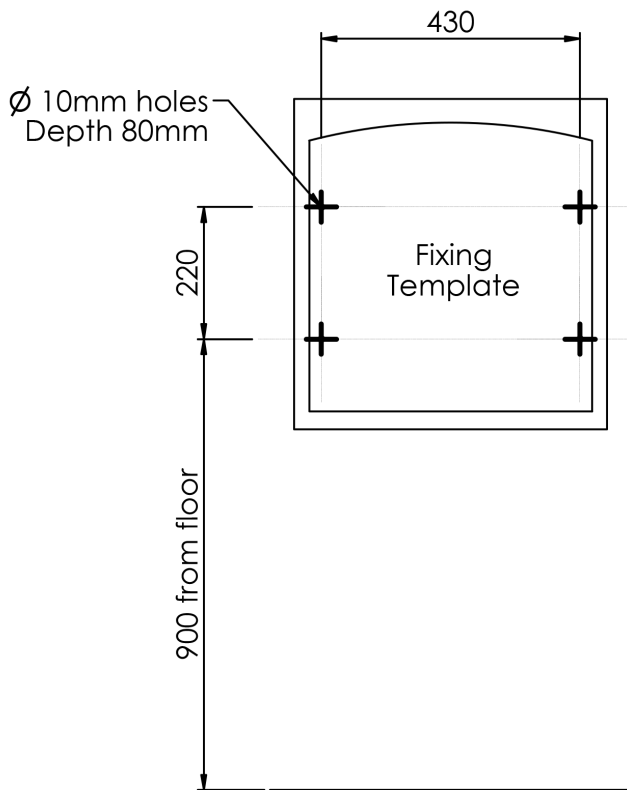
Note: Please follow the below procedures. If the below procedures are not followed it may impact the life of some components and void warranties.

- It is recommended that this product be installed by a licensed tradesperson.
- Installation height and location may be subject to Australian Building Code Regulations.
- This product may also be subject to height and location conditions to comply with AS1428.1 for accessibility.
- Placement may be subject to architects specification and drawings.
- It is the responsibility of the installer to fix the washroom accessory in the correct position.
- Masonry wall anchors are supplied with the product.
- Fixing to stud walls becomes the sole responsibility of the installer. 3monkeez does not warrant the safety and performance of the product if incorrectly installed.

PARTS AND HARDWARE

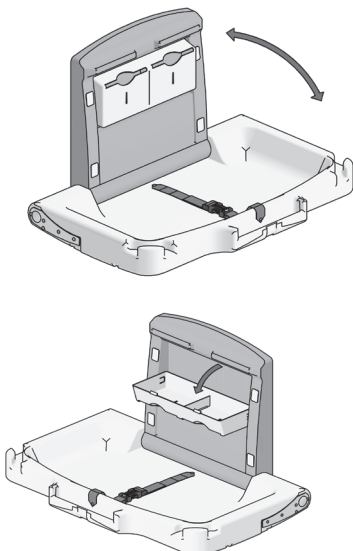


INSTALLATION INSTRUCTIONS



1. On the wall, mark a level base-line 900mm from floor level. (Unless otherwise specified.)
2. Use the provided paper fixing template to mark the centres for the mounting holes.
3. Drill 4 x 10mm \varnothing holes to a depth of at least 80mm.
4. Open the change table. You may need to use an object such as a suitable piece of timber to wedge the table open. **Do not attempt to remove or adjust the gas spring in the rear of the unit. Injury or damage to the unit may result!**
5. Attach the table to the wall using the 100mm long anchor bolts in the top holes and the 120mm long anchor bolts in the bottom holes. Do not over-tighten.
6. Once the unit is firmly attached to the wall, the cover caps can be fitted over the anchor bolts. **Please note that the caps for the top holes are marked "UP" and the caps for the bottom holes marked "DOWN."**

USING THE TABLE



- To use the table, simply pull down from the wall. There is a convenient handle moulded into the front edge of the table.
- The restraining belt has a standard side-release buckle and is adjustable in length.
- The container for the disposable table liners may be refilled by depressing the top edge to release the retaining clips. The front of the container swings down for easy access.
- Use mild soap or detergent to clean the unit. Do not use bleach or harsh chemicals. These may harm or degrade the plastic.
- Use a soft cloth or brush when cleaning. Do not use abrasives or steel wool. These cause scratches which catch dirt and harbour bacteria.
- There should always be a suitable waste container provided nearby for disposal of used table liners and nappies.
- Wash hands and fold table away after every use.