

Congratulations! You have just purchased one of the premium products from 3monkeez cistern range.
Proudly manufactured to Australian Standards AS1172.2

IMPORTANT INFORMATION



Note: Please follow the below procedures. If the below procedures are not followed it may impact the life of some components and void warranties.

- Cistern valve must be installed by a qualified plumber in accordance with the Plumbing Code of Australia (PCA), AS/NZS3500 and the Manufacturer's instructions.
- Prior to installation, turn the water off at the mini stop, empty the cistern and soak up any residual water prior to removing the valve. After removing the valve, thoroughly clean the inside of the cistern.
- Do not use plumbers putty to seal valves or inlets.
- Do not use in-cistern toilet cleaners containing bleach or chlorine. These cause damage and failure of cistern components which may cause flooding and property damage.

INSTALLATION INSTRUCTIONS

Step 1

Unpack the cistern valve, make sure all parts are included and no damage is present.

Step 2

Hold the base of the outlet and twist the top half to separate.

Step 3

Remove the nut and hard washer from outlet thread. Install the base half of the outlet in to the cistern, ensuring the thick black washer sits flat on the base of the cistern. Put hard washer on to thread on outside of cistern and screw up the nut. Tighten loosely.

Step 4

Remove the nut and hard washer from the pull chain tube thread. Install the tube in to the cistern, ensuring the conical black washer sits pointed toward the installation hole. Put hard washer on to thread on outside of cistern and screw up the nut. Tighten nut until the thick black washer starts to compress. Hand tighten only.

Step 5

The amount of water discharged per flush can be affected by the water level in the cistern. The half flush button is teal in colour. The side in which the pull chain depresses must be determined before assembling the valve. The flush volume must match the urinal or urinette it is being connected to. The half flush adjustment is the larger lever in the middle of the valve. The full flush adjustment is the smaller lever on the side of the valve.

Flush adjustments:

- Lower number = higher volume
- Higher number = lower volume

Step 6

Install the pull chain cap on to the dual flush valve, ensuring the lever will depress the required side of the valve. The cap will snap in place.

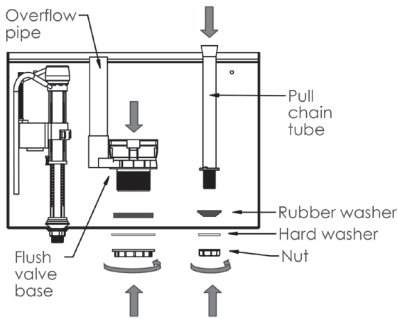
Step 7

Install the top half of the flush valve in to the base of the outlet valve. There are tabs on the valve that must line up to insert correctly. Twist to lock in place. Turn the whole valve to correctly align the lever position for the chain installation.

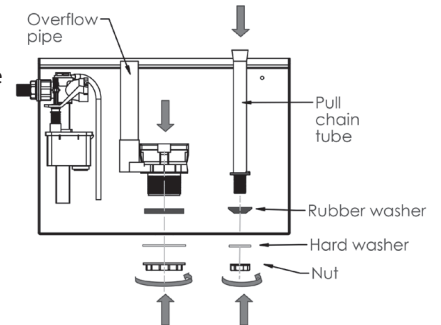
Step 8

Tighten nut until the thick black washer starts to compress. Hand tighten only. Overtightening will result in damage and may crack ceramic cisterns.

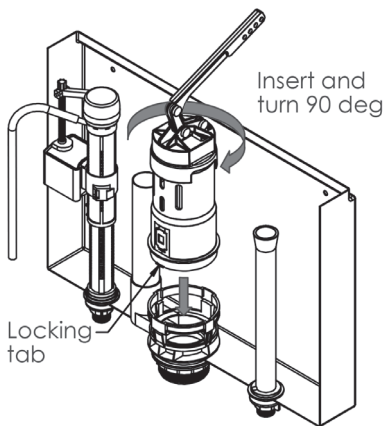
WITH BOTTOM ENTRY INLET VALVE



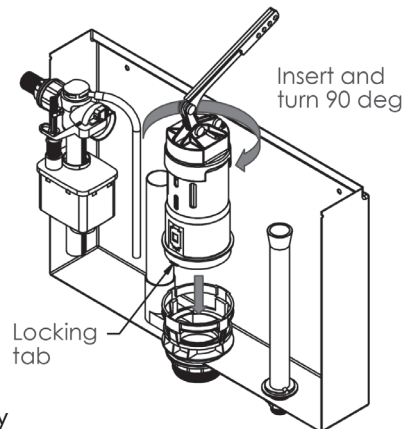
WITH SIDE ENTRY INLET VALVE



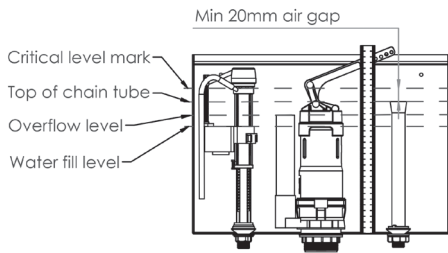
WITH BOTTOM ENTRY INLET VALVE



WITH SIDE ENTRY INLET VALVE



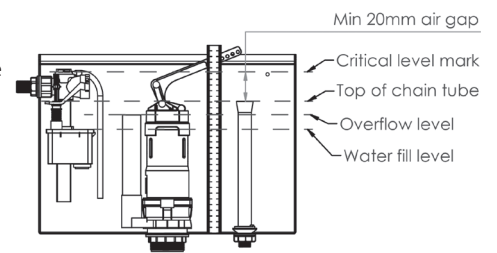
WITH BOTTOM ENTRY INLET VALVE



Step 9

The overflow level must be above the water fill level of the cistern. This level is etched on the inside of all 3monkeez cisterns. The overflow pipe is adjusted by twisting and lifting the cylinder to allow movement, twist again to lock in place. There must be a minimum 20mm air gap between the Critical Level Mark and the top of the overflow pipe.

WITH SIDE ENTRY INLET VALVE

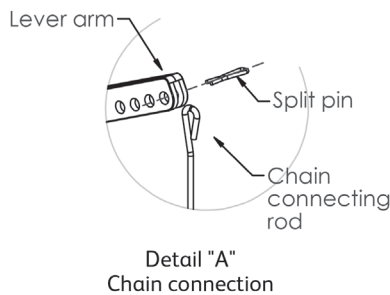
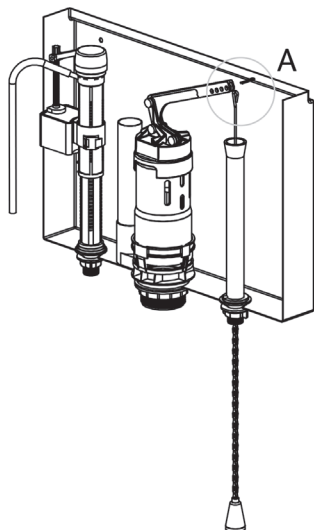


Step 10
Thread the chain connecting rod through the pull chain tube and in to the slot of the lever arm. Choose the hole that gives the rod the best angle; close to vertical, and insert the split pin provided. Open up and bend the ends of the split pin so it holds in place during use. Do not overstretch the opening of the split pin and do not squeeze the lever arm with pliers.

Step 11
Connect water supply to inlet valve and turn water on. Check for any leaks and test flush volume on valve. If the water fill level requires adjustment, refer to the inlet installation instructions. If the flush discharge volume requires adjustment, refer back to Step 5.

Step 12
Fix cistern lid in place.

WITH BOTTOM ENTRY INLET VALVE



WITH SIDE ENTRY INLET VALVE

