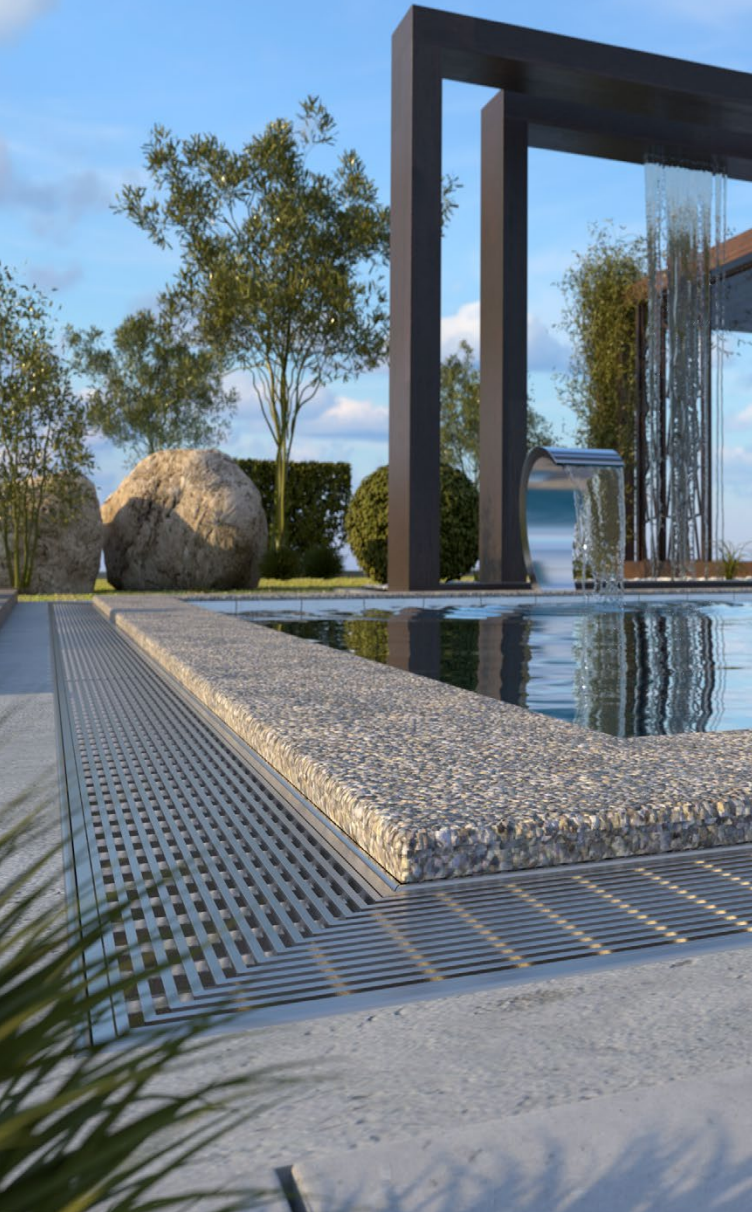


# The Stainless Steel Advantage



LINEAR DRAIN SYSTEM



**3monkeez**<sup>®</sup>  
innovate. create. deliver.

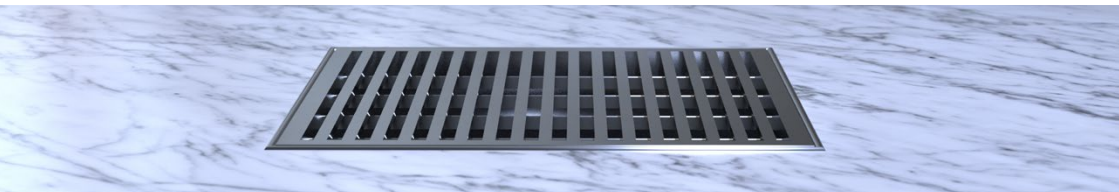
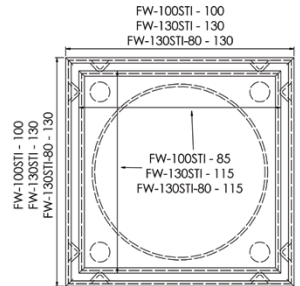
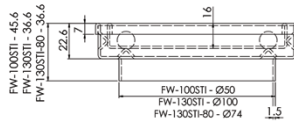




## Stainless Steel Tile Insert Point Drains

- FW-100STI** (100mm Square - 50mm Outlet)
- FW-130STI** (130mm Square - 100mm Outlet)
- FW-130STI-80** (130mm Square - 74mm Outlet)

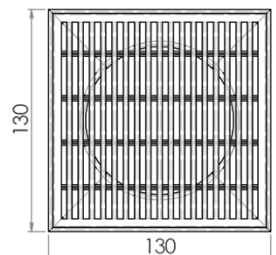
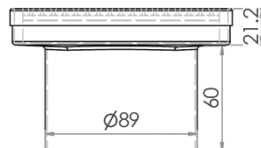
- Slimline for easy installation
- 1.5mm 304 grade stainless steel
- Removable tray



## 130mm Wedge Wire Point Drain

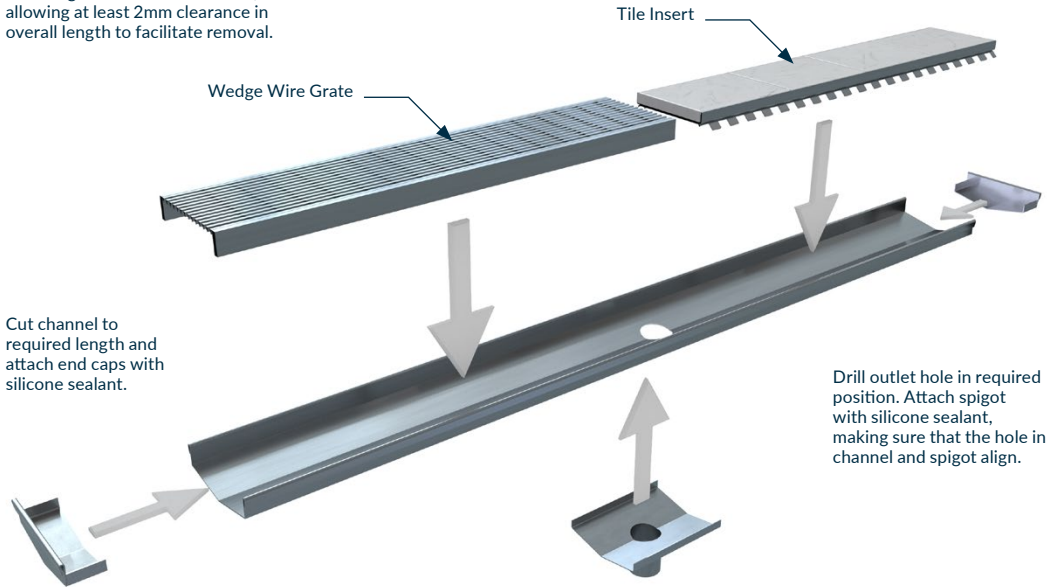
### FW-130WWI

- Slimline for easy installation
- Removable grate
- G200 profile grate
- 89mm spigot
- 316 grade stainless steel
- Custom sizes available on request - lead times apply



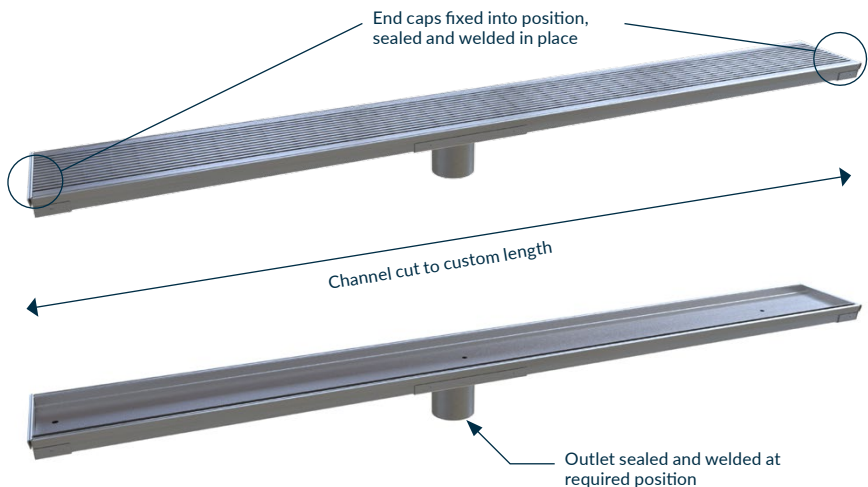
## Kit Form - Assembly Required

Cut the grate to suit the channel, allowing at least 2mm clearance in overall length to facilitate removal.



Kit Includes hole saw and sealant

## Prefabricated - Ready to Install

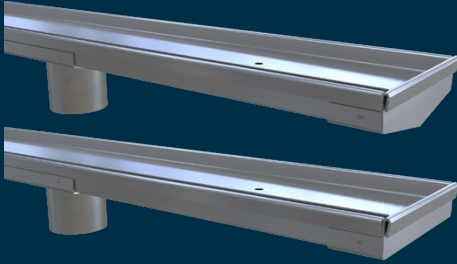


Prefabricated with a short lead time

## Channel and Wedge Wire Grate



## Channel and Tile Insert



For a design that will compliment your next bathroom, courtyard, or outdoor project, 3monkeez® range of IN2GR8® grates and drains are the perfect option. The goal of our wide range of linear and point drains is in the name, to integrate seamlessly and offer a fuss-free solution that will suit any application. All our IN2GR8® products are available with your choice of wedge wire or tile insert; to provide style, functionality and practicality. Constructed from full stainless steel, this range will provide a lifetime of satisfaction, free from scratches and resistant to even the toughest environments.

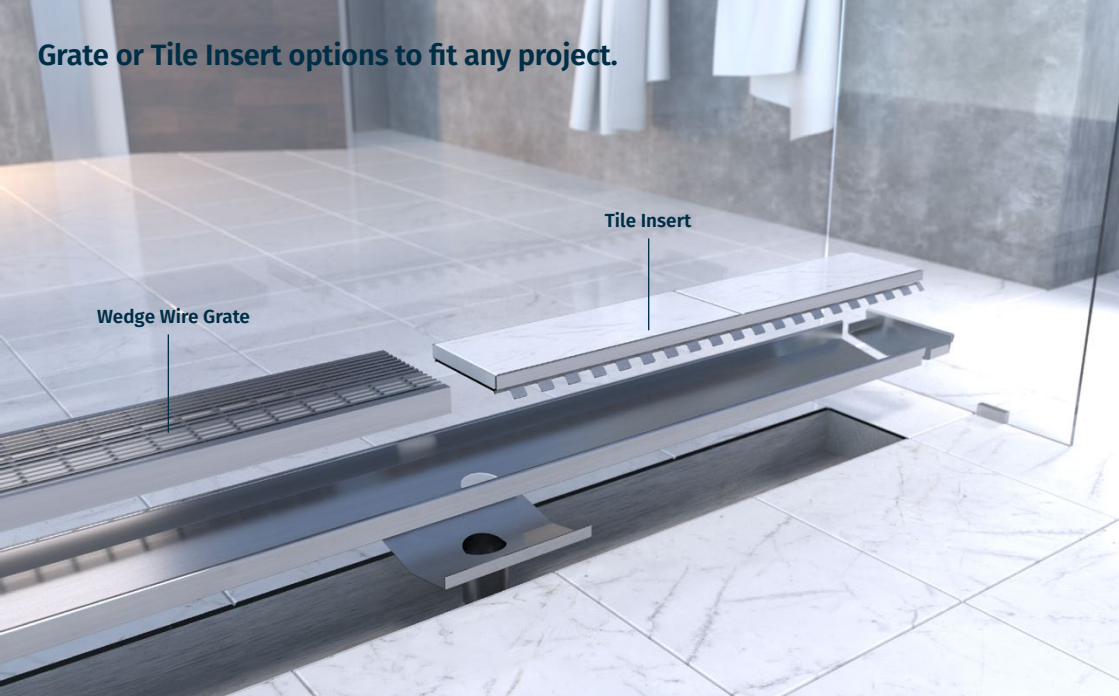
Available in kit form or pre-assembled to your specifications we can also assure ease of purchase and installation. Rigorously tested, our channel & grate products meet all industry standards, for a quality drainage solution that is attractive and functional.

## Components

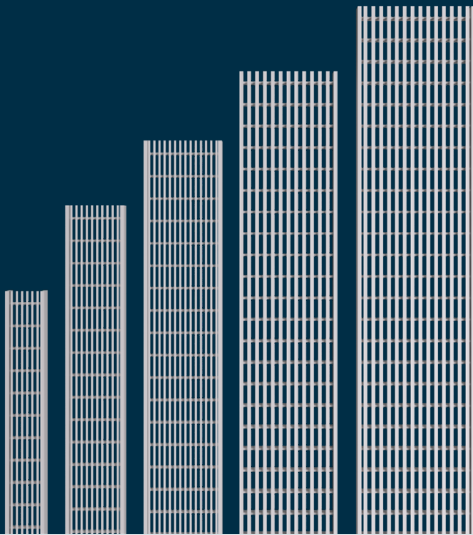
1. End Caps
2. Outlet Spigot
3. Channel
4. Wedge Wire Grate or Tile Insert
5. Joining Strip
6. Fixed and Removable Strainer
7. Corners Pieces



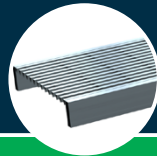
Grate or Tile Insert options to fit any project.



Available in kit form or customised to your requirements and always in stock.



- Manufactured using 316 grade stainless steel
- Available in kit form or prefabricated to your specifications
- Wedge wire grate or tile insert
- Kit form range from 900mm - 3000mm
- Joining strips for longer lengths
- Corners available for change of direction - 45 degree or 90 degree
- G200 - 50mm, 75mm, 100mm widths
- G300 - 125mm and 150mm widths straight runs only
- Outlet sizes - 38mm, 50mm, 76mm and 89mm
- Kit form includes a hole saw and sealant



Wedge Wire



Tile Insert

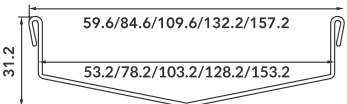
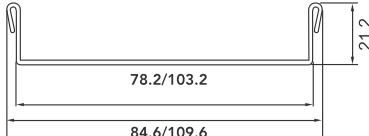
G200 50mm   G200 75mm   G200 100mm   G300 125mm   G300 150mm



Complete IN2GR8® range available online.

# Choose your Profile, grate or tile insert, width and length

Available in Prefabricated and Kit Form - Complete the Checklist below.

Channel Profile	
<input type="checkbox"/> <b>M-FT-7</b> 	<input type="checkbox"/> <b>M-FT-8</b> 

Grate or Tile Insert	Prefabricated or Kit Form
<input type="checkbox"/> <b>Wedge Wire Grate</b> 	<input type="checkbox"/> <b>Prefabricated</b> Ready to install  <input type="checkbox"/> <b>Kit Form</b> Onsite assembly required
<input type="checkbox"/> <b>Tile Insert</b> 	

Sizing Options	
<b>Length (overall):</b>	<b>mm (if not listed below)</b>
<input type="checkbox"/> Up to 900mm <input type="checkbox"/> Up to 2400mm	<input type="checkbox"/> Up to 1000mm <input type="checkbox"/> Up to 3000mm <input type="checkbox"/> Up to 1200mm <input type="checkbox"/> Up to 1500mm <input type="checkbox"/> Up to 1800mm

Width				
<input type="checkbox"/> 50 (59.6mm)* G200	<input type="checkbox"/> 75 (84.6mm) G200	<input type="checkbox"/> 100 (109.6mm) G200	<input type="checkbox"/> 125 (132.2mm)* G300	<input type="checkbox"/> 150 (157.2mm)* G300

Outlet Size				
Suit 50 Wide*	Suit 75 Wide	Suit 100 Wide	Suit 125 Wide*	Suit 150 Wide*
<input type="checkbox"/> 38mm Qty: _____	<input type="checkbox"/> 38mm* Qty: _____ <input type="checkbox"/> 50mm Qty: _____	<input type="checkbox"/> 38mm* Qty: _____ <input type="checkbox"/> 50mm Qty: _____ <input type="checkbox"/> 76mm Qty: _____ <input type="checkbox"/> 89mm Qty: _____	<input type="checkbox"/> 89mm Qty: _____	<input type="checkbox"/> 89mm Qty: _____
125mm and 150mm widths in straight runs only.				

Corner Pieces (if required)**	Optional Extras
<input type="checkbox"/> 45 Degree Qty: _____ 	<input type="checkbox"/> Joining Strip Qty: _____ 
<input type="checkbox"/> 90 Degree Qty: _____ 	
<input type="checkbox"/> Fixed and Removable Strainer*** Qty: _____ 	

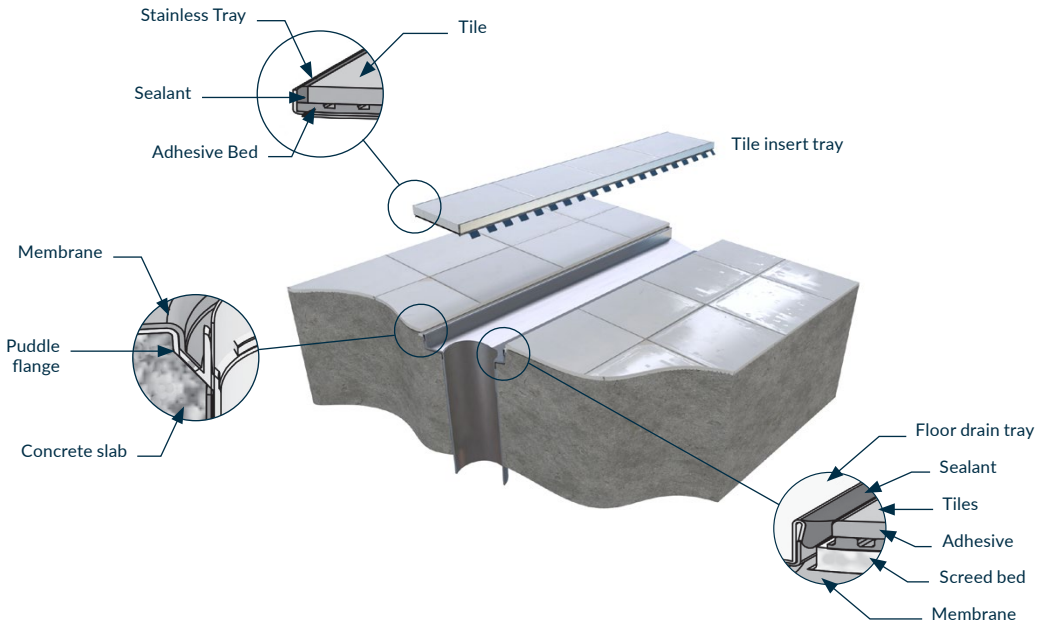
\* Not available for M-FT-8 or Tile Insert

\*\* Joining Strips also required

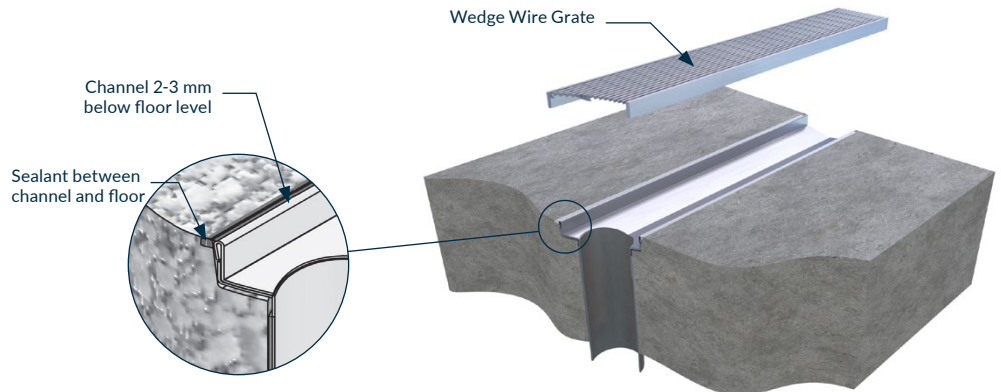
\*\*\* Only suits 89mm Outlet

# and other options to suit your next project or fit-out.

## IN2GR8 - Typical Installation



## IN2GR8 - Typical Outdoor Concrete Installation



# The Stainless Steel Advantage



## ZERO LEAD CONTAMINATION

Water quality not compromised.



## NO GRIME BUILD-UP

Waterways remain clean and the quality and taste of the water is not distorted.



## SMOOTH FINISH

Stainless steel provides an easy to clean surface and prevents the build-up of bacteria.



## HIGHLY DURABLE

Strong material reducing the occurrence of dents and bends.



## SMALL FOOTPRINT

Stainless steel is 100% recyclable.

## Premium Quality

To ensure 3monkeeZ® products withstand the rigors of any commercial application, our IN2GR8® range of products are manufactured from 100% stainless steel (S/S) and quality materials.

The clean, attractive appearance and premium qualities of stainless steel protect your health and the environment, making it ideally suited to modern fit-outs to provide a lifetime of satisfaction.

**100%  
LEAD FREE  
STAINLESS  
STEEL**



**3monkeeZ**

NSW 02 9627 6111  
VIC 03 9357 6562  
QLD 07 3881 0322  
WA 08 6305 0681  
SA 0417 731 718  
ACT 0408 446 961  
TAS 03 6344 7060  
NT 0447 382 658  
FNQ 07 4775 6956

Disclaimer: The information provided by 3monkeeZ Pty. Ltd and displayed within this brochure is subject to change. For the latest product information and updates visit [www.3monkeeZ.com.au](http://www.3monkeeZ.com.au).

[www.3monkeeZ.com.au](http://www.3monkeeZ.com.au)  
[sales@3monkeeZ.com.au](mailto:sales@3monkeeZ.com.au)